



PS-12 MEAT GRINDER

Hourly output: up to 100 Kg.



- ✓ Depth: 470 mm
- ✓ Height: 410 mm
- Net weight: 17.3 Kg
- Noise level (1m.): <70 dB(A)
- Background noise: 32 dB(A)
- IP Protection grade:21

Crated dimensions
 340 x 480 x 340 mm
 Gross weight: 18.9 Kg

AVAILABLE MODELS

1050110	Meat mincer PS-12 230/50/1
1050111	Meat mincer PS-12 220/60/1

* Ask for special versions availability

SALES DESCRIPTION

- ✓ Motor unit and cutting unit in aluminium.
- ✓ System: Enterprise.
- ✓ 1 knife and a Ø 6 mm. mesh plate included.

Ideal for foodservice, communities and food retailers.

- ✓ Body and hopper in stainless steel.
- ✓ Mincing head blockage that ensures a perfect cut.
- ✓ Sturdy and ventilated motor.

INCLUDES

- ✓ Enterprise system, aluminium cutting unit.
- ✓ Ø 6mm. mesh plate.

OPTIONAL

- Mesh plates of different sizes: 4.5 / 6 / 8 mm.

ACCESSORIES

- Mesh plates

SPECIFICATIONS

Production /hour (max): 100 Kg
 Plate diameter: 70 mm
 Inlet mouth diameter (1) : 45 mm
 Electrical supply: 230 V / 1 ~
 Plug: --
 Total loading: 440 W

External dimensions (WxDxH)

- ✓ Width: 227 mm

DYNAMIC PREPARATION
COMMERCIAL MEAT GRINDERS

product sheet
updated 26/10/2022



SAMMIC, S.L.
Bassaré, 1 - 20720 Azzovita
www.sammic.com

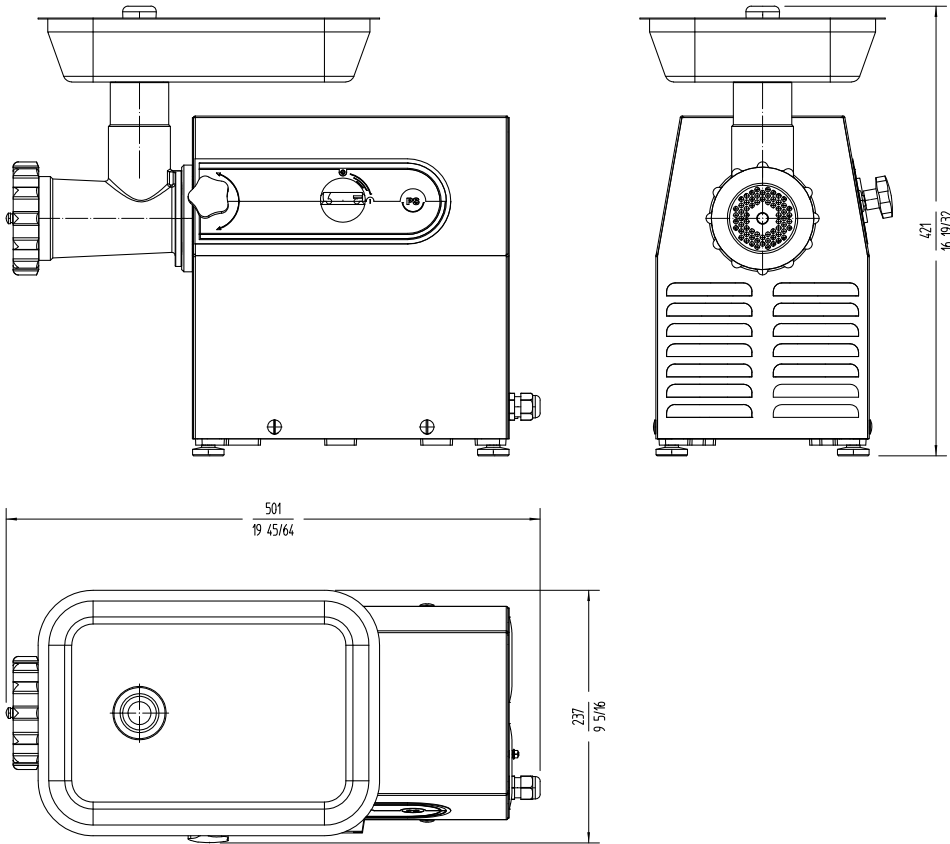


PS-12 MEAT GRINDER

Hourly output: up to 100 Kg.



DYNAMIC PREPARATION
COMMERCIAL MEAT GRINDERS



 **sammic** | www.sammic.com
Food Service Equipment Manufacturer

Polígono Basarte, 1. phone +34 943 15 72 36
20720 Azkoitia, Spain sales@sammic.com



Project	Date
Item	Qty
Approved	

product sheet
updated 26/10/2022