

# DOLCE VITA 4 R507 (COD. E4368S0000)



Ice cream cabinet

Technical data

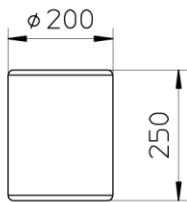
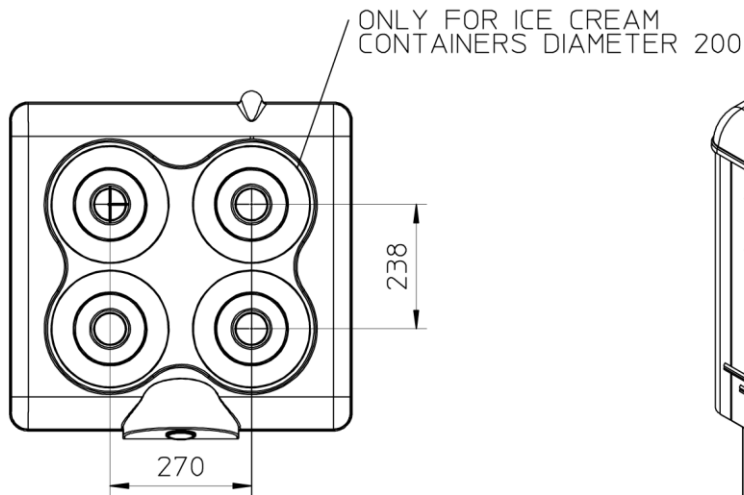
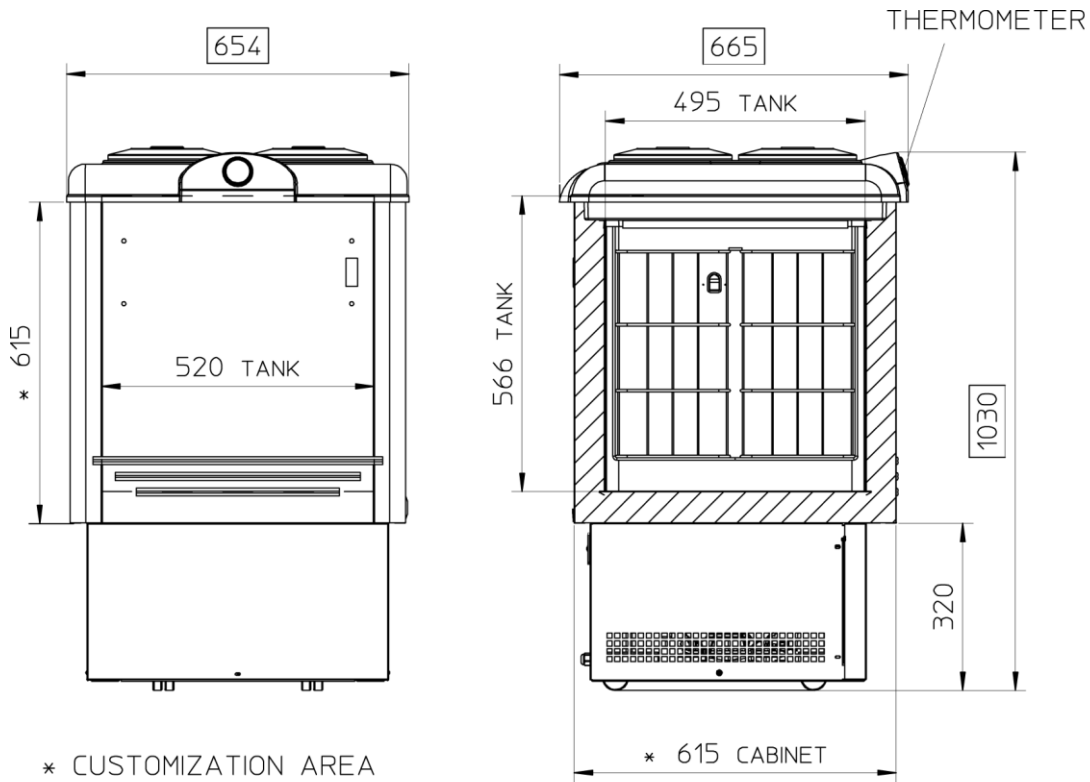
<b>Temperature</b>	-5°C -20°C
<b>Voltage and Frequency</b>	230 V~ 50 Hz
<b>Gas</b>	R507
<b>Net dimension</b>	654 x 665 x 1030 mm (l x p x h)
<b>Packed dimension</b>	740 x 715 x 1117 mm (l x p x h)
<b>Gross capacity</b>	146 l
<b>Net capacity</b>	130 l
<b>Gross weight</b>	88.00 Kg
<b>Net weight</b>	78.00 Kg
<b>Heat insulation</b>	Rigid polyurethane foam "HCFC/CFC/HFC" free
<b>External cabinet</b>	Plasticised steel sheet beige
<b>Kickplate</b>	Plasticised steel sheet brown
<b>Cabinet bottom</b>	Galvanized sheet
<b>Inner tank</b>	White prepainted steel sheet
<b>Top foamed</b>	Thermoformed plastic brown
<b>Side grid - colour</b>	Plasticised steel sheet brown
<b>Defrosting</b>	Manual
<b>Condensator</b>	Wire and tube - maintenance free with powered fan
<b>Evaporator</b>	Static evaporator wrapping the tank
<b>Compressor</b>	1/5 HP
<b>absorbed power</b>	260 W
<b>Climatic class - EN 441</b>	4 (30°C-55H R.H.
<b>Plug</b>	European - Angular Plug
<b>Thermometer</b>	Mechanical
<b>Thermostat</b>	Electronic
<b>Standard equipment</b>	4 inox covers - 2 basket with divider set 4 places (+ 4 reserve) - 4 wheels
<b>Optional</b>	protective plexiglass front with price holders - led lamp - brake lever - port cones - Portions-washing
<b>Brand</b>	MONDIAL GROUP
<b>Producer brand</b>	MONDIAL GROUP

# DOLCE VITA 4 R507 (COD. E4368S0000)



Ice cream cabinet

Layout



N°4+4 (STORAGE)  
ICE CREAM CONTAINERS

DOLCE VITA 4  
S\_46329 - REV.00

