

DOLCE VITA IN 6 R290 (COD. E4369S2000)



Built-in scoop ice cream and slushies cabinets

Technical data

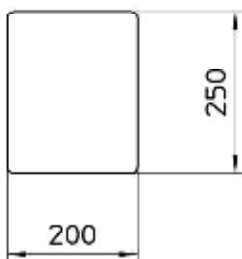
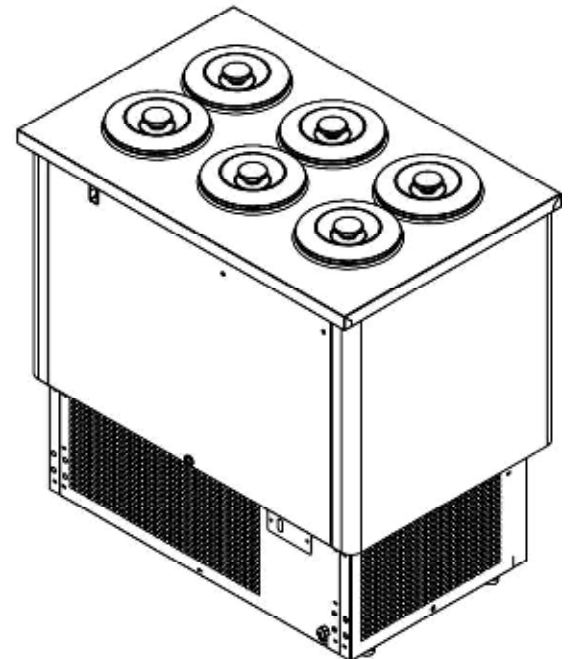
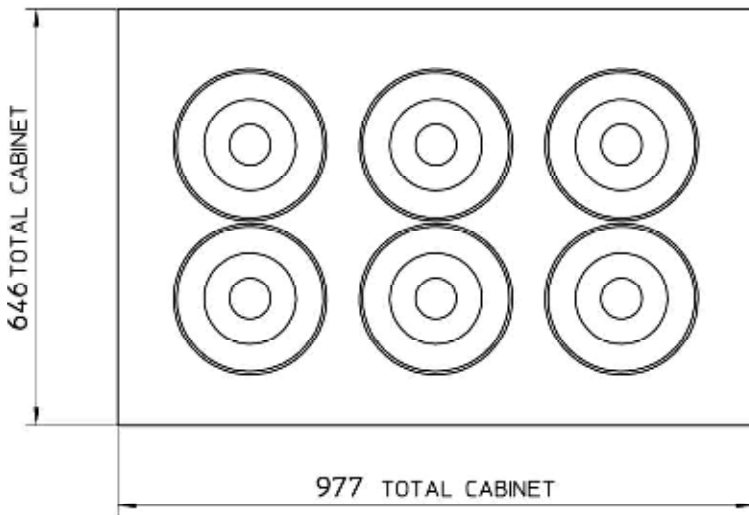
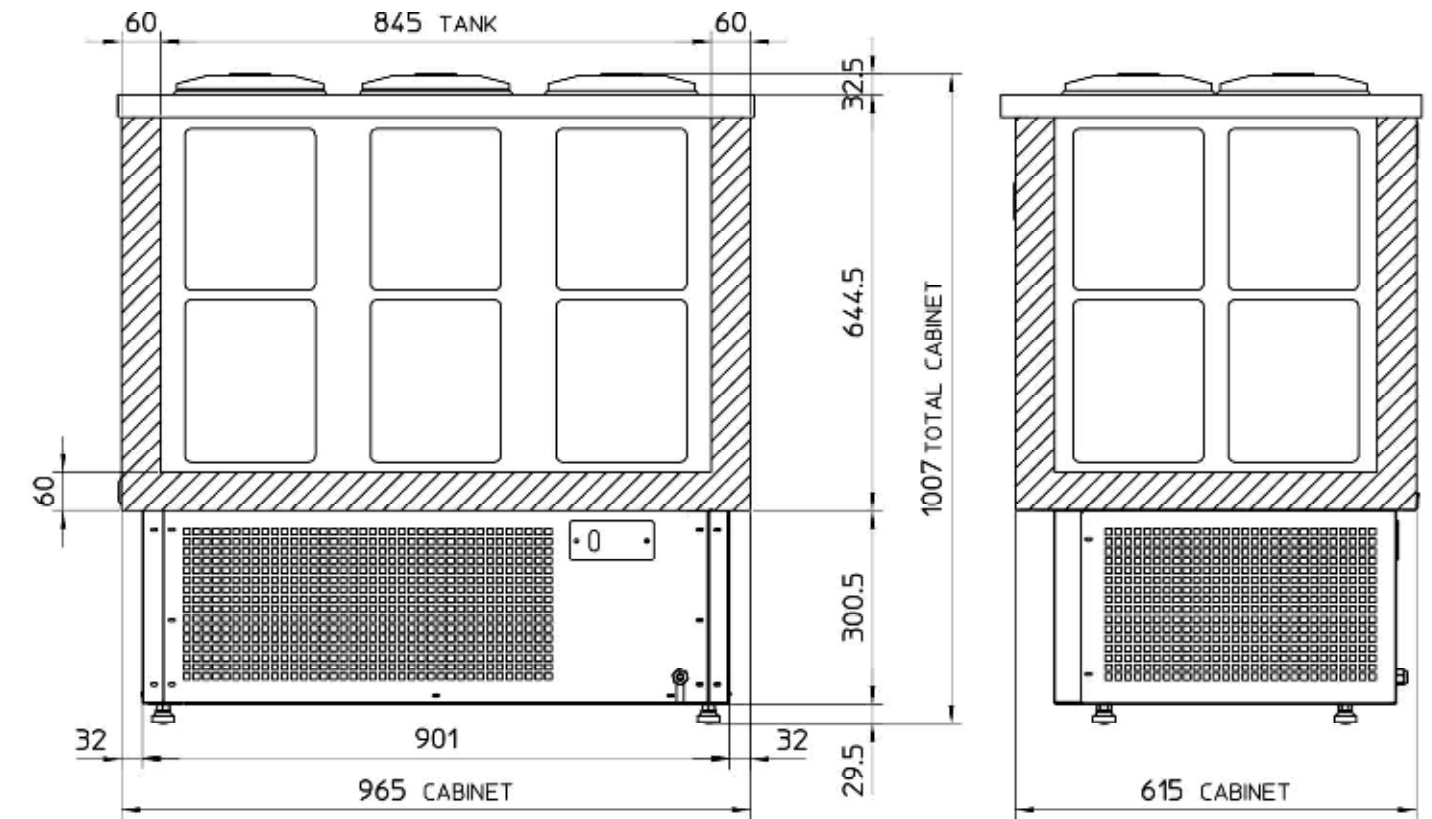
Temperature	-5°C -20°C
Voltage and Frequency	230 V~ 50 Hz
Gas	R290
Net dimension	977 x 646 x 1007 mm (l x p x h)
Packed dimension	1065 x 715 x 1117 mm (l x p x h)
Gross capacity	240 l
Net capacity	220 l
Gross weight	105.00 Kg
Net weight	94.00 Kg
Heat insulation	Rigid polyurethane foam "HCFC/CFC/HFC" free
External cabinet	Stainless steel sheet - AISI 304
Kickplate	Stainless steel sheet - AISI 304
Cabinet bottom	Galvanized sheet
Inner tank	White prepainted non-toxic steel sheet
Side grid - colour	Stainless steel sheet - AISI 304
Condensator	Wire and tube - maintenance free with powered fan
Evaporator	Static evaporator wrapping the tank (fan assisted)
Defrosting	Manual
absorbed power	310 W
Power consumption (24h)	4,4 kWh/24h
Climatic class	4 (30°C-55%RH) L1
Plug	European - Angular Plug
Thermometer/Thermostat	Electronic
Standard equipment	6 inox covers - 3 basket with divider set 6 places (+ 6 reserve) - portions-washing
Optional	Extracting kit for plastic tub - stainless steel cylindrical tub - plastic cylindrical tub kit
Brand	Mondial Framec
Producer brand	Mondial Framec

DOLCE VITA IN 6 R290 (COD. E4369S2000)



Built-in scoop ice cream and slushies cabinets

Layout



DOLCE VITA IN 6
S_46650

DOLCE VITA IN 6 R290 (COD. E4369S2000)



Built-in scoop ice cream and slushies cabinets

Spare parts list

Ref.	Description	Code
1	CAP CLOSING DRAINAGE WHITE	1721037
2	MOTORFAN 92X92X25 CT65 NC	4121166
3	BASE AIR CONVEYOR	8530507
4	FRONTAL PANEL CONV.DOLCE VITA IN	8530513
5	REAR PANEL CONV.DOLCE VITA IN	8530514
6	COVER DOLCE VITA IN 6 A304/SB	8421053
7	GASKET 568X920 DOLCE VITA 6 GREY	4611072
8	ICE CREAM COVER, DOLCE VITA 8/10	2611016
9	FILTER XH9 ENTRY 5 OUT 2.75 GR20	3141032
10	ASS.ACC.NLY80LAA 220-240V 50HZ CSIR R290	1147618
11	COMP.NLY80LAA 220-240V 50HZ CSIR R290	4106155
12	WIRE CONDENSER	4111054
13	MOTOR FAN 16W 220/240V-50/60HZ BRACKET H82	4121136
14	FAN D.230X28° PRESS ALUMINUM	4122022
15	THERMOSTAT DIG.XR30CH DIXELL DOLCEVITA R290 ->	1188272
16	DIGITAL THERMOST. PROBE L=3000	1185028
17	POWER SUPPLY LED 24V REF.MW RS-75-24	1171011
18	POWER SUPPLY LED 24V REF.APV-16-24	1171016
19	CONTROL BOARD PROT.DOLCEVITA R290	1792838
20	FRONTAL PANEL DOLCE VITA IN 6 A304/SB	8530501
21	REAR PANEL DOLCE VITA IN 6 A304/SB	8530502
22	RIGHT PANEL DOLCE VITA IN 4	8530499
23	LEFT PANEL DOLCE VITA IN 4	8530500
24	BASKETCYLINDRICAL TUB D.200 DOLCE VITA IN 4/6 WHITE	0621412
25	PARTITION BASKET DOLCE VITA WHITE	0621391
26	SCOOPWASHER	4400300020000
27	BRACKET SCOOPWASH ESKIMO-SLURP 304/SB	8530352
28	ALU LEVELING FOOT M12	5601100
29	THERMOM.-THERMOSTAT BULB-COVER VS-VT/E WHITE	3420499412000

* Price list without VAT. The prices of the accessories set are to be considered only if they are sold with the relevant compressors

The manufacturer will reserve the right to make any modification without prior notice.

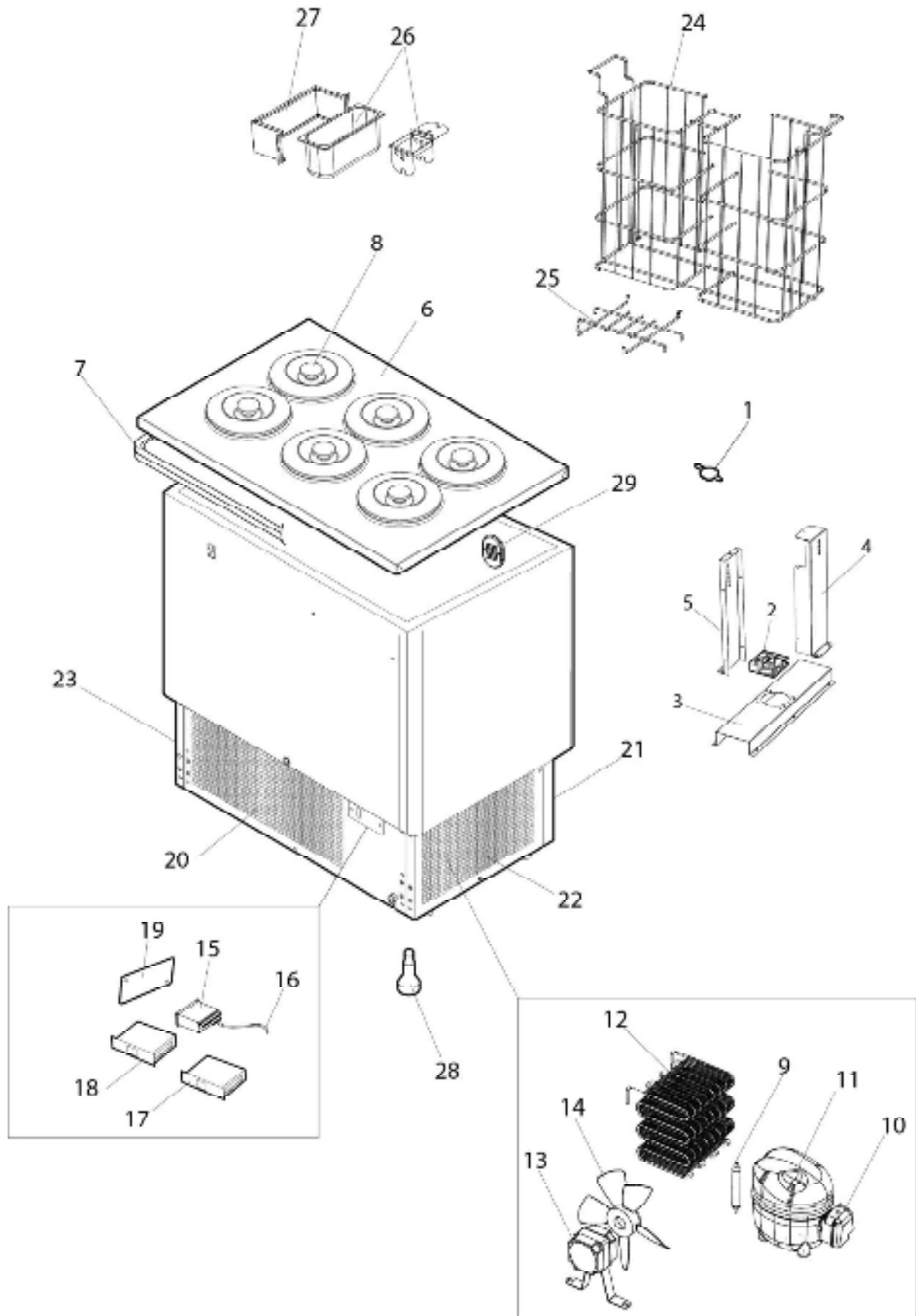
Updated on
25/02/2020

DOLCE VITA IN 6 R290 (COD. E4369S2000)



Built-in scoop ice cream and slushies cabinets

Spare parts drawing



Updated on
25/02/2020

**DOLCE VITA IN 6 R290
(COD. E4369S2000)**



Built-in scoop ice cream and slushies cabinets

Image



Updated on
25/02/2020