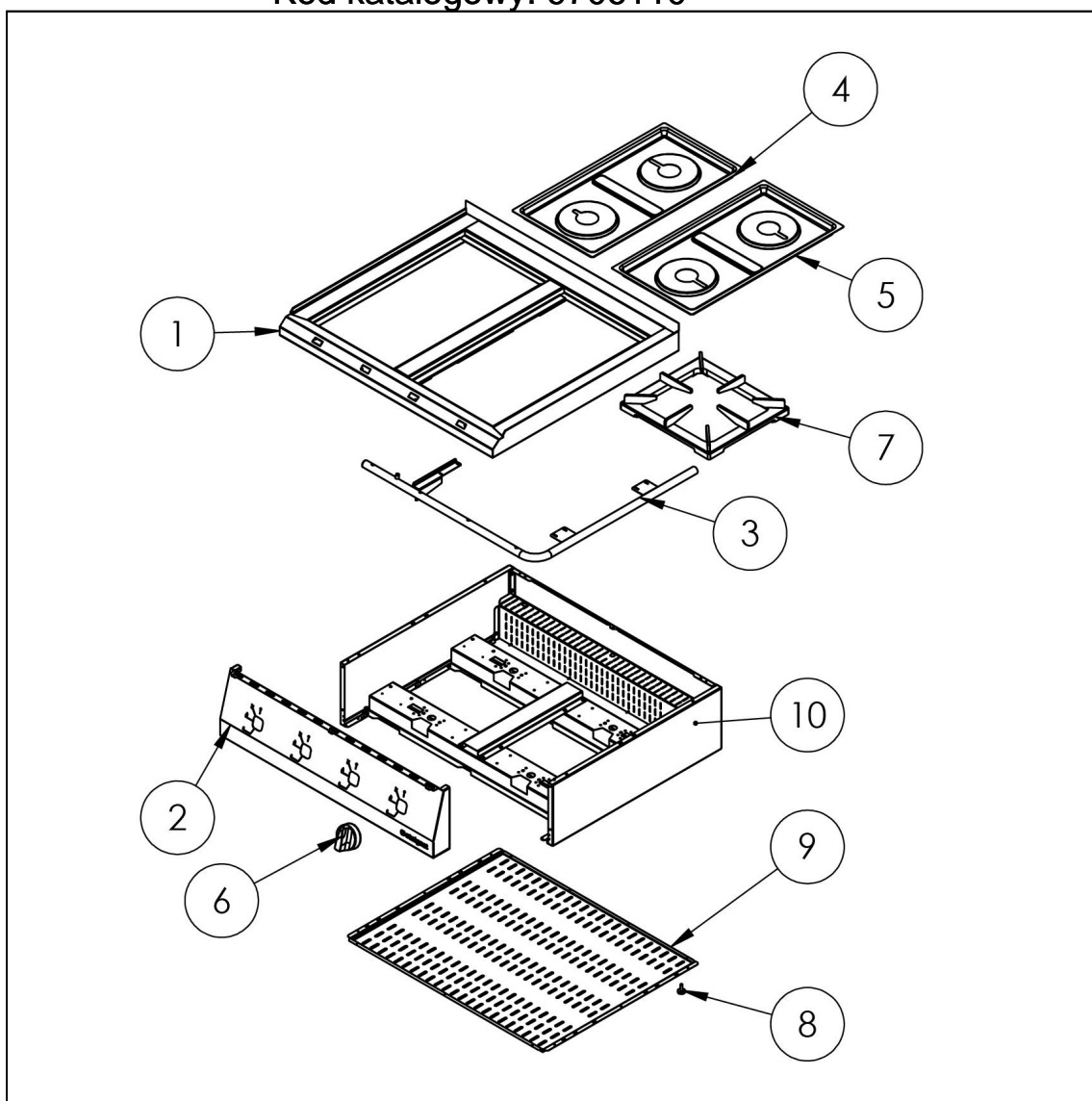
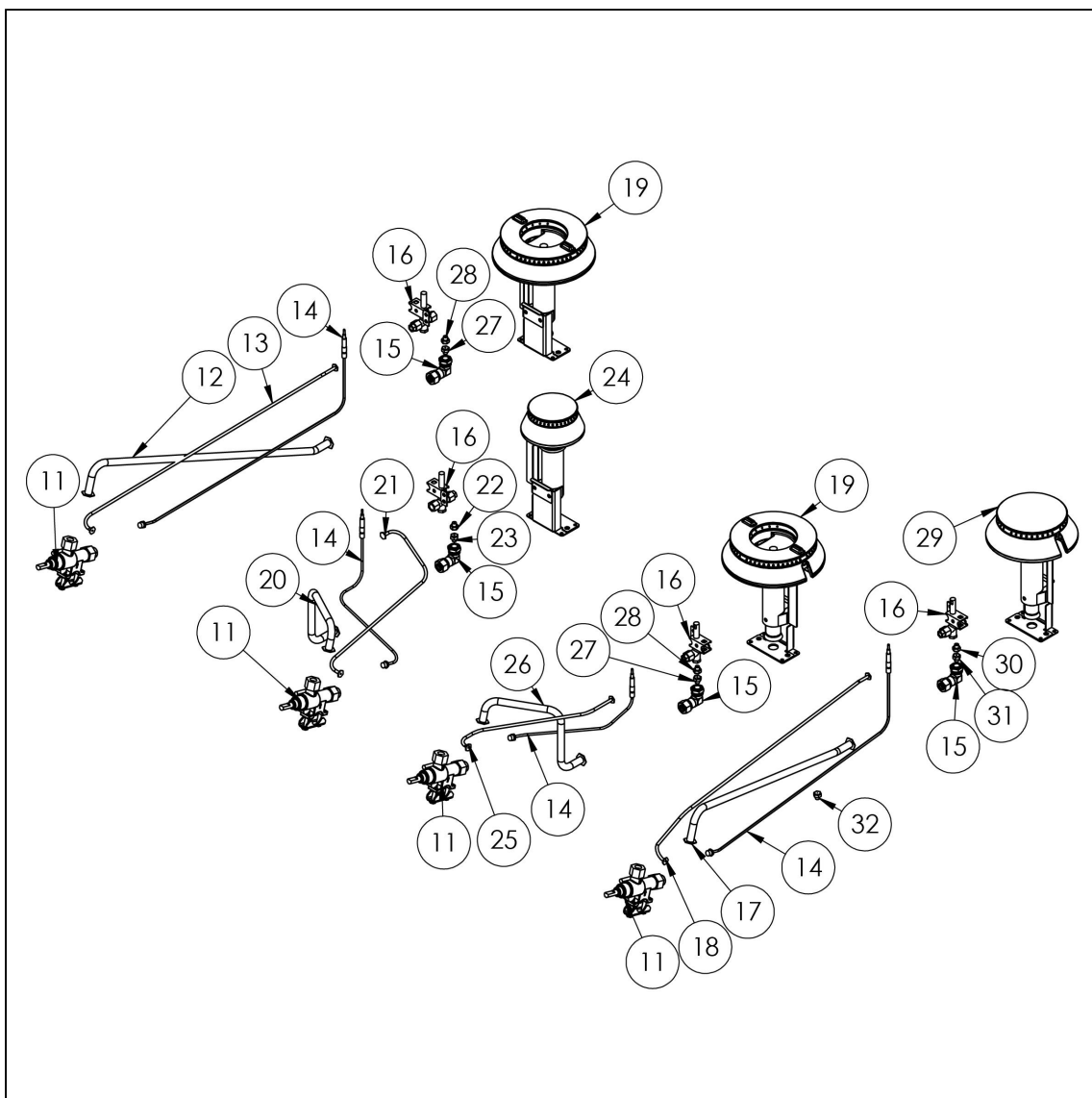
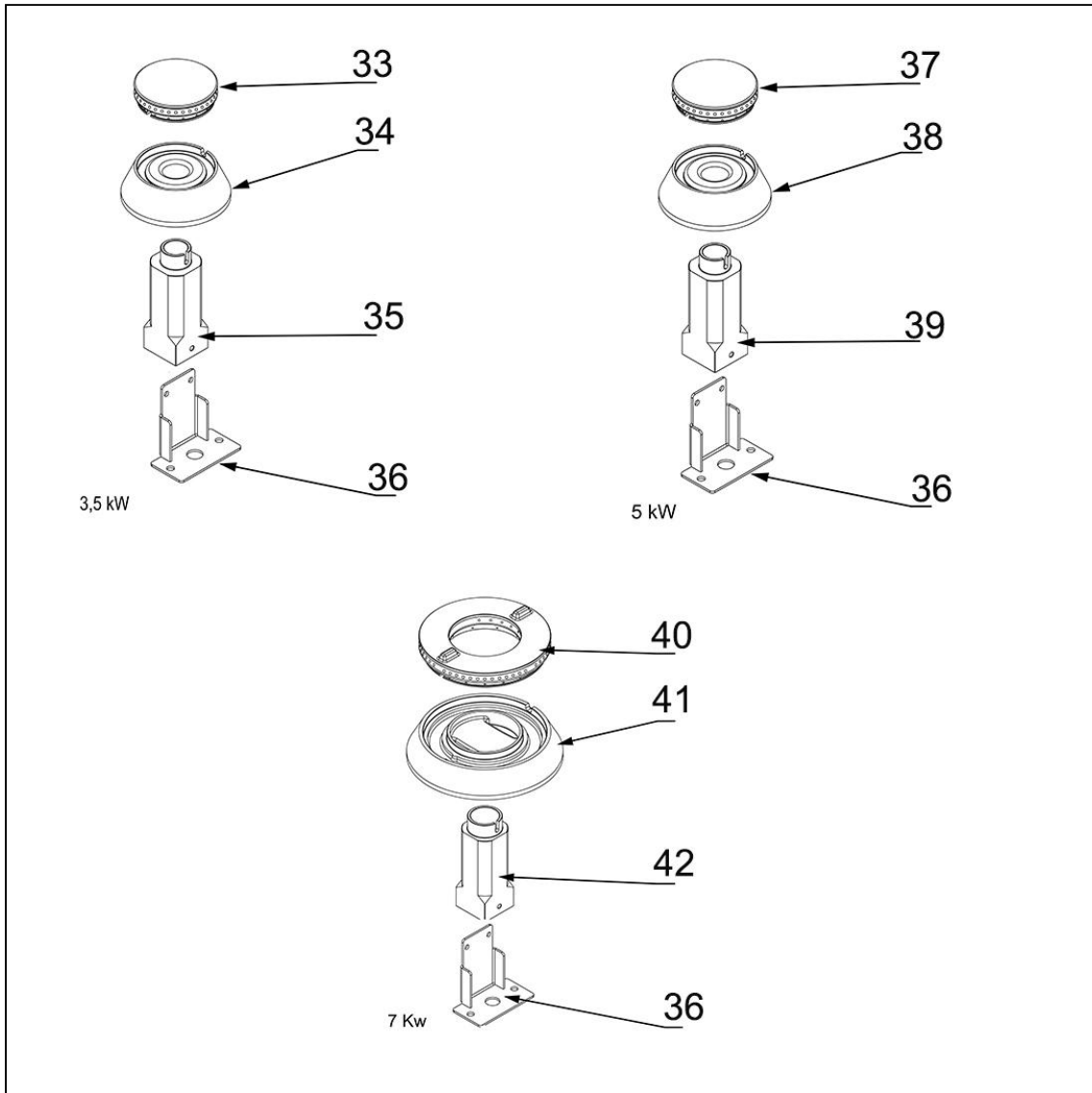


kuchnia nastawna gazowa 4 palnikowa 800x700 20,5kW -
G20

Kod katalogowy: 9706110







Nr cz ci (V nr rys.-nr cz ci z rysunku)	Nazwa	Kod
V9706110.2-01	Blat	C011167
V9706110.2-02	Panel przedni	C011168
V9706110.2-03	Kolektor	C011169
V9706110.2-04	Misa lewa	C011160
V9706110.2-05	Misa prawa	C010501
V9706110.2-06	Pokr tło	C011161
V9706110.2-07	Ruszt	C009045
V9706110.2-08	Stopka	C010548
V9706110.2-09	Oslona dolna	
V9706110.2-10	Korpus	
V9706110.2-11	Zawór	C008801
V9706110.2-12	Rura miedziana fi10x1	
V9706110.2-13	Rura miedziana fi6x1	
V9706110.2-14	Termopara 600	C008081
V9706110.2-15	Kolano	C009080
V9706110.2-16	Palnik pilota	C008078
V9706110.2-17	Rura miedziana fi10x1	
V9706110.2-18	Rura miedziana fi6x1	
V9706110.2-19	Palnik 7kW	C002407
V9706110.2-20	Rura miedziana fi10x1	
V9706110.2-21	Rura miedziana fi6x1	
V9706110.2-22	Dysza palnika 3.5 kW PB_0.9	C007535
V9706110.2-23	Dysza palnika 3.5 kW GZ_1.35	C007108
V9706110.2-24	Palnik 3.5kW	C010605
V9706110.2-25	Rura miedziana fi6x1	
V9706110.2-26	Rura miedziana fi10x1	
V9706110.2-27	Dysza palnika 7 kW PB_1.2	C007537
V9706110.2-28	Dysza palnika 7 kW GZ_2.0	C007720
V9706110.2-29	Palnik 5kW	C010849
V9706110.2-30	Dysza palnika 5 kW GZ_1.7	C006358
V9706110.2-31	Dysza palnika 5 kW PB_1.05	C007536
V9706110.2-32	Dysza palnika pilota GZ_0.41	C010906
V9706110.2-33	Korona palnika 3.5kW	C009051
V9706110.2-34	Korpus palnika 3.5kW	C009052
V9706110.2-35	In ektor 3.5kW	C009092
V9706110.2-36	Wspornik podstawy dyszy	C009079
V9706110.2-37	Korona palnika 5kW	C009053
V9706110.2-38	Korpus palnika 5kW	C009054
V9706110.2-39	In ektor 5kW	C010161
V9706110.2-40	Korona palnika 7kW	C009040
V9706110.2-41	Korpus palnika 7kW	C009027
V9706110.2-42	In ektor 7kW	C009168