

DOLCE VITA IN 8 R290 (COD. E4370S2000)



Built-in scoop ice cream and slushies cabinets

Technical data

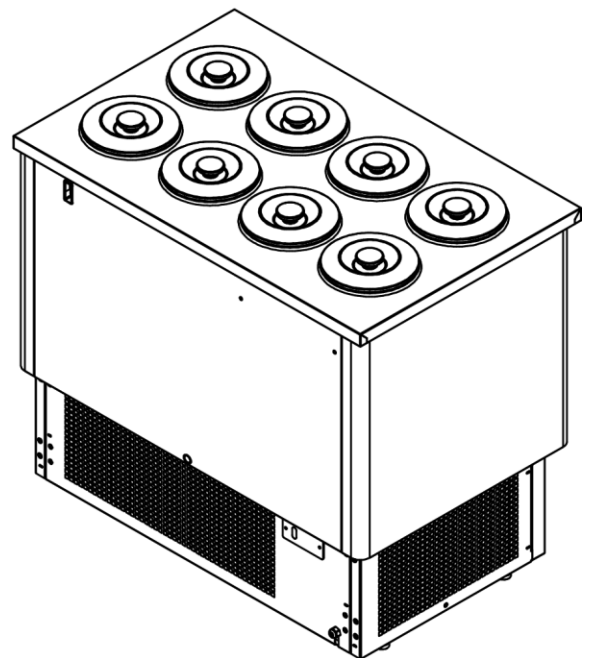
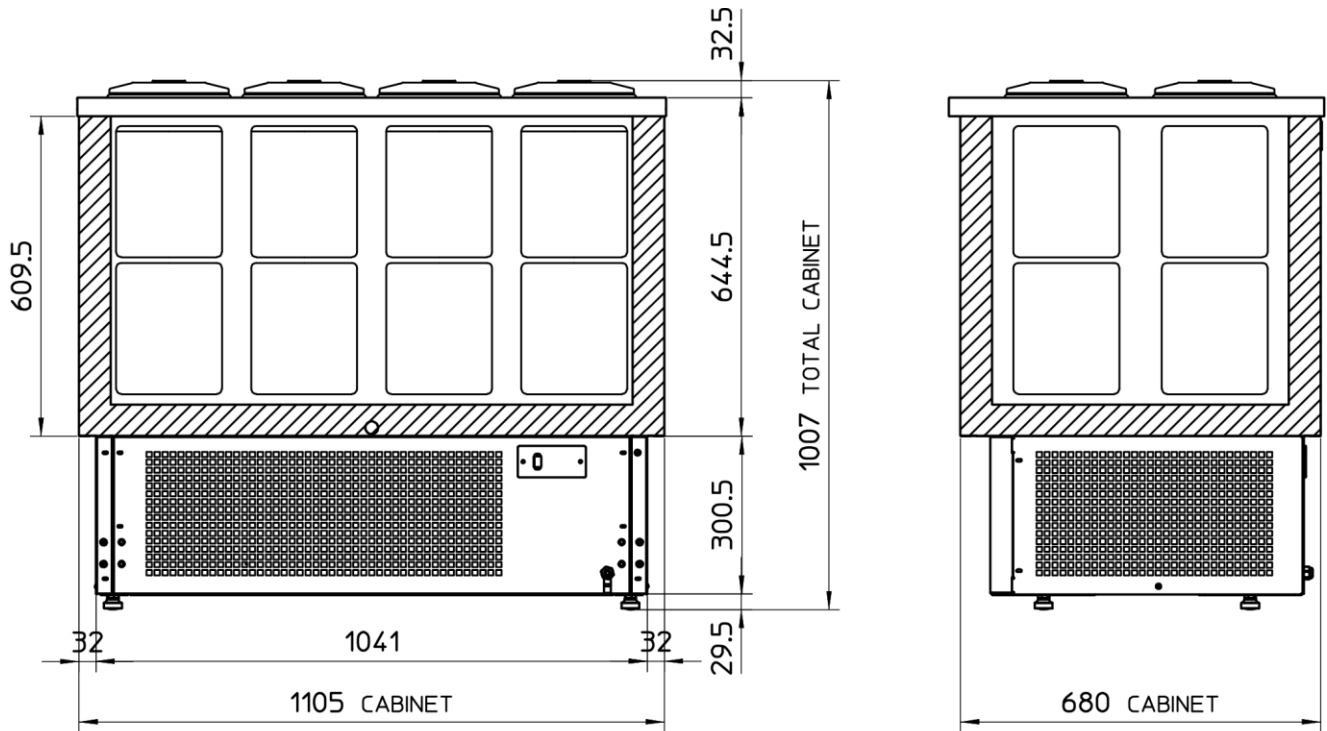
Temperature	-5°C -20°C
Voltage and Frequency	230 V~ 50 Hz
Gas	R290
Net dimension	1112 x 710 x 1007 mm (l x p x h)
Packed dimension	1205 x 780 x 1117 mm (l x p x h)
Gross capacity	305 l
Net capacity	245 l
Gross weight	121.00 Kg
Net weight	106.00 Kg
Heat insulation	Rigid polyurethane foam "HCFC/CFC/HFC" free
External cabinet	Stainless steel sheet - AISI 304
Kickplate	Stainless steel sheet - AISI 304
Cabinet bottom	Galvanized sheet
Inner tank	White prepainted non-toxic steel sheet
Side grid - colour	Stainless steel sheet - AISI 304
Condensator	Wire and tube - maintenance free with powered fan
Evaporator	Static evaporator wrapping the tank (fan assisted)
Defrosting	Manual
absorbed power	350 W
Power consumption (24h)	5,9 kWh/24h
Climatic class	4 (30°C-55%RH) L1
Plug	European - Angular Plug
Thermometer/Thermostat	Electronic
Standard equipment	8 inox covers - 4 basket with divider set 8 places (+ 8 reserve) - portions-washing
Optional	Extracting kit for plastic tub - stainless steel cylindrical tub - plastic cylindrical tub kit
Brand	MONDIAL FRAMEC
Producer brand	MONDIAL FRAMEC

DOLCE VITA IN 8 R290 (COD. E4370S2000)

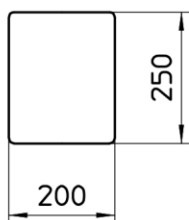


Built-in scoop ice cream and slushies cabinets

Layout



N° 8+8 (STORAGE)
ICE CREAM CONTAINERS



DOLCE VITA IN 8
S_46653

DOLCE VITA IN 8 R290 (COD. E4370S2000)



Built-in scoop ice cream and slushies cabinets

Spare parts list

Ref.	Description	Code
1	CAP CLOSING DRAINAGE WHITE	1721037
2	MOTORFAN 92X92X25 CT65 NC	4121166
3	BASE AIR CONVEYOR	8530507
4	FRONTAL PANEL CONV.DOLCE VITA IN	8530513
5	REAR PANEL CONV.DOLCE VITA IN	8530514
6	COVER DOLCE VITA IN 8 INOX 304/SB	8421054
7	GASKET 634X1058 DOLCE VITA 8 GREY	4611070
8	ICE CREAM COVER, DOLCE VITA 8/10	2611016
9	FILTER XH9 ENTRY 5 OUT 2.75 GR20	3141032
10	ACC.SET NLY12LAa 220-240V 50HZ CSIR R290	1147591
11	COMP.NLY12LAa 220-240V 50HZ CSIR R290	4106135
12	WIRE CONDENSER BUNDY 8T 7R	4111053
13	MOTOR FAN 16W 220/240V-50/60HZ BRACKET H82	4121136
14	FAN 254X27° PRESS ALUMINUM	4122021
15	THERMOSTAT DIG.XR30CH DIXELL DOLCEVITA R290 ->	1188272
16	DIGITAL THERMOST. PROBE L=3000	1185028
17	POWER SUPPLY LED 24V REF.MW RS-75-24	1171011
18	POWER SUPPLY LED 24V REF.APV-16-24	1171016
19	CONTROL BOARD PROT.DOLCEVITA R290	1792838
20	FRONTAL PANEL DOLCE VITA IN 8/10 304/SB	8530503
21	REAR PANEL DOLCE VITA IN 8/10 304/SB	8530504
22	RIGHT PANEL DOLCE VITA IN 8/10 304/SB	8530505
23	LEFT PANEL DOLCE VITA IN 8/10 304/SB	8530506
24	WHITE BASKET DOLCE VITA IN 8/10	0621413
25	PARTITION BASKET DOLCE VITA WHITE	0621391
26	SCOOPWASHER	4400300020000
27	BRACKET SCOOPWASH ESKIMO-SLURP 304/SB	8530352
28	ALU LEVELING FOOT M12	5601100

* Price list without VAT. The prices of the accessories set are to be considered only if they are sold with the relevant compressors

The manufacturer will reserve the right to make any modification without prior notice.

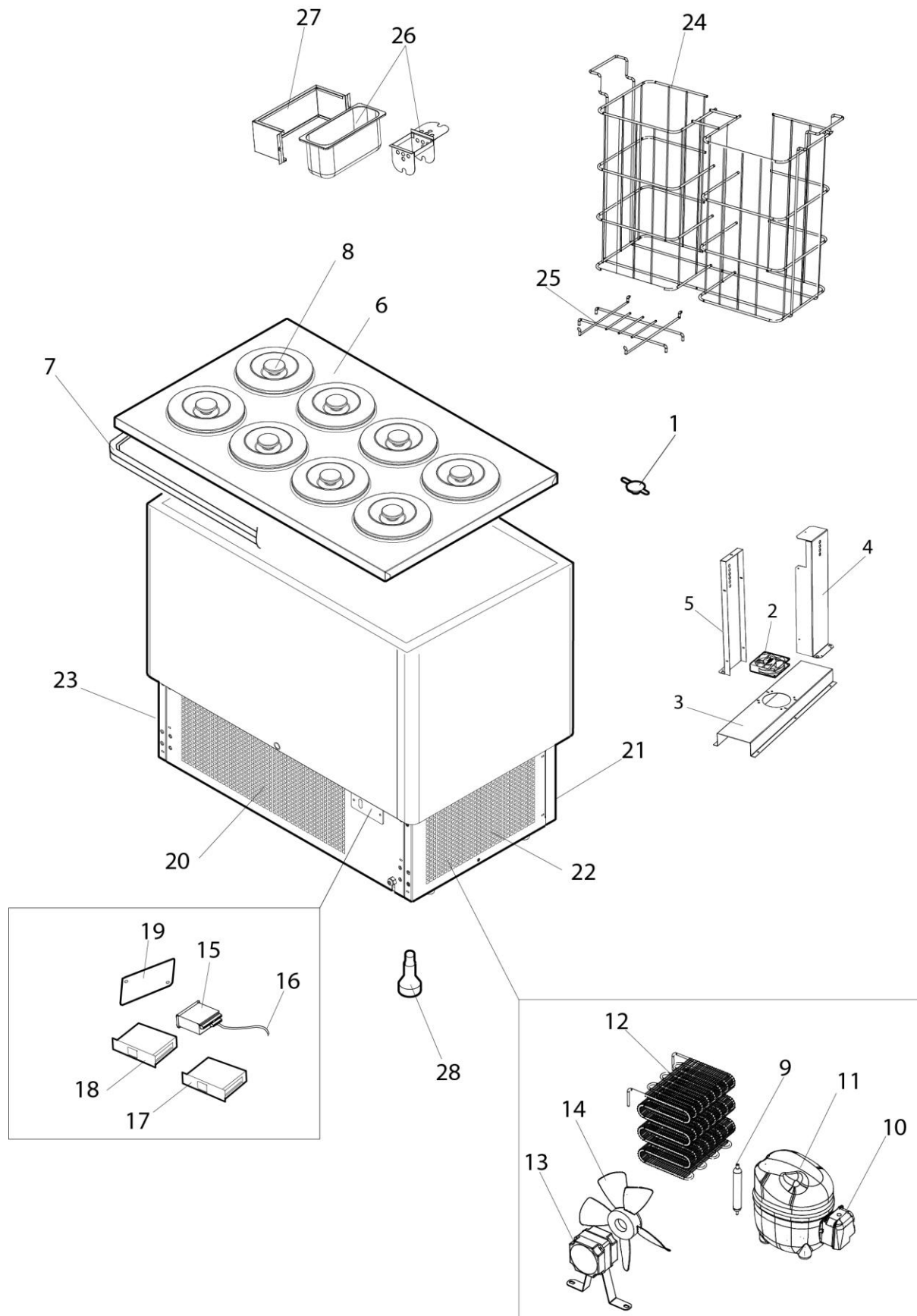
Updated on
29/05/2019

DOLCE VITA IN 8 R290 (COD. E4370S2000)



Built-in scoop ice cream and slushies cabinets

Spare parts drawing



Updated on
29/05/2019